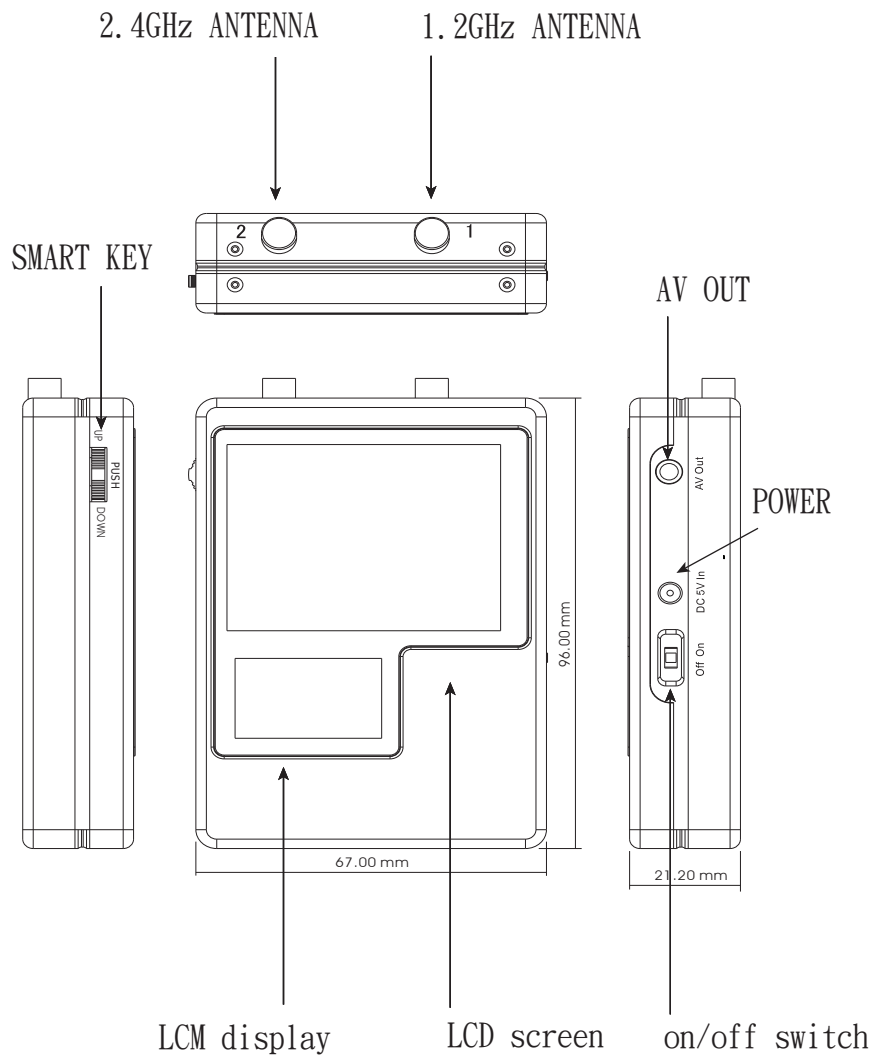


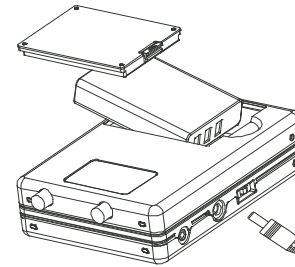
# WCH-200X



(1)

## operation

### 1)battery:



1. Remove the battery cover
2. Battery goes in a 15 degree angle
3. As shown in the graphic
4. Please follow the + and -

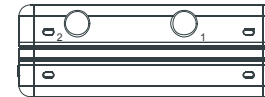
### 2)charging:

Plug the charger to power source then connect to the unit.

### 3)charging indicator:

The red light is on when charging, off when charge completes.  
This unit needs to be charged for 8 hours the first time.

### 4)antennas:



screw in the antennas as indicated  
antenna 1  
antenna 2

### 5)power:

Switch on the power switch, automatic scanning starts  
Please make sure the antennas are on properly.

6)scanning: When seeing image flashes on the screen  
press the smart button to look at the image  
or scroll the smart key to micro adjust the frequencies.

### 7>manual scanning:

scroll the smart key

### 8)low battery indicator:

battery light flashes when battery is low, please charge  
battery charge takes 3 to 4 hours

### 9)External source:

When use external source, please switch it to ex mode.

(2)